

FEATURES

- Eight or four-port PCI Express serial com cards
- Serial protocol (RS-232/422/485) *SOFTWARE CONFIGURED* per port, stored in EEPROM for auto-configure at next boot
- Low profile PCIe MD2 form factor, also works in standard height PCIe computers
- High performance 16C950 class UARTs with 128-byte FIFO for each TX and RX
- Supports data communication speeds up to 3Mbps (standard model RS-232 is 460.8kbps)
- ESD protection +/-15kV on all signal pins
- Supports 9-bit data mode
- Full modem control signals in RS-232 mode
- Software compatible with all operating systems
- Selectable termination for RS-485 applications
- 3' breakout cable available, terminating with industry-standard DB9M connectors
- Also available in 2-wire RS-485 and RS-422 (4-wire 485) only versions

FACTORY OPTIONS

- Extended temperature operation (-40°C to +85°C)
- High-speed RS-232 version up to 921.6kbps
- RoHS compliant version
- Remote wake-up enable
- Low profile bracket installed for small, embedded PCs

FUNCTIONAL DESCRIPTION

ACCES I/O's PCI Express multi-port multi-protocol serial communication cards deliver eight (PCIe-COM-8SM) or four (PCIe-COM-4SM), high-speed serial communication ports for use in a wide variety of applications. The cards offer serial compatibility with the PCI Express bus for use by system integrators and manufacturers in the design of industrial and commercial systems. Each COM port is capable of supporting data rates up to 3Mbps and implements full modem control signals in RS-232 mode to ensure compatibility with a broad variety of serial devices. The card features a x1 lane PCI Express connector which can be used in any available x1, x2, x4, x8, x12, or x16 PCI Express expansion slot.

The card is 6.6 inches in length and 2.2 inches seated height and complies with the MD2 Low Profile Form Factor specification. Low profile PCI Express allows the design of small footprint, low profile systems while still offering expandability and upgradeability to the end user. A regular profile mounting bracket is installed for use in standard size computers, while an optional low profile bracket is available for smaller systems which require the use of low profile PCI Express cards.

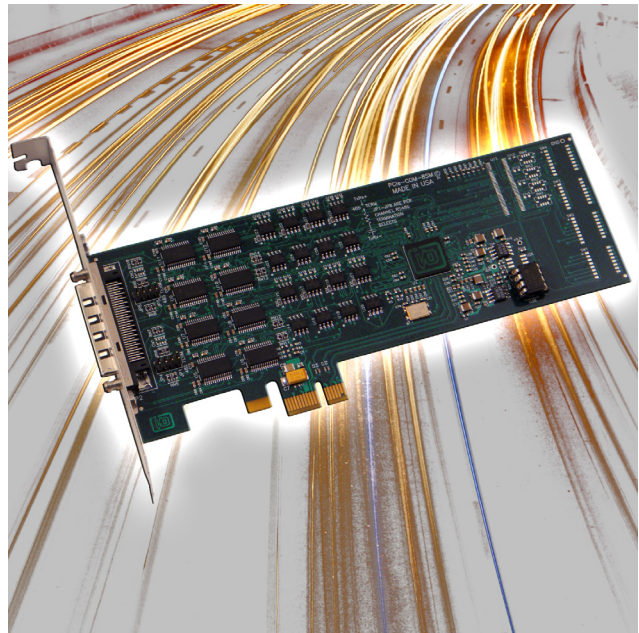
Typical serial peripherals can connect directly to the industry standard DB9M connectors on an optional breakout cable (see Ordering Guide). For DB9 pin-compatibility with legacy RS-485 systems that use our LPCI and PCI-COM485-8 cards and breakout cables, order the "NC" card model and breakout cable CAB-PCIe-485-8 (see DB9M RS-485 Pin Table).

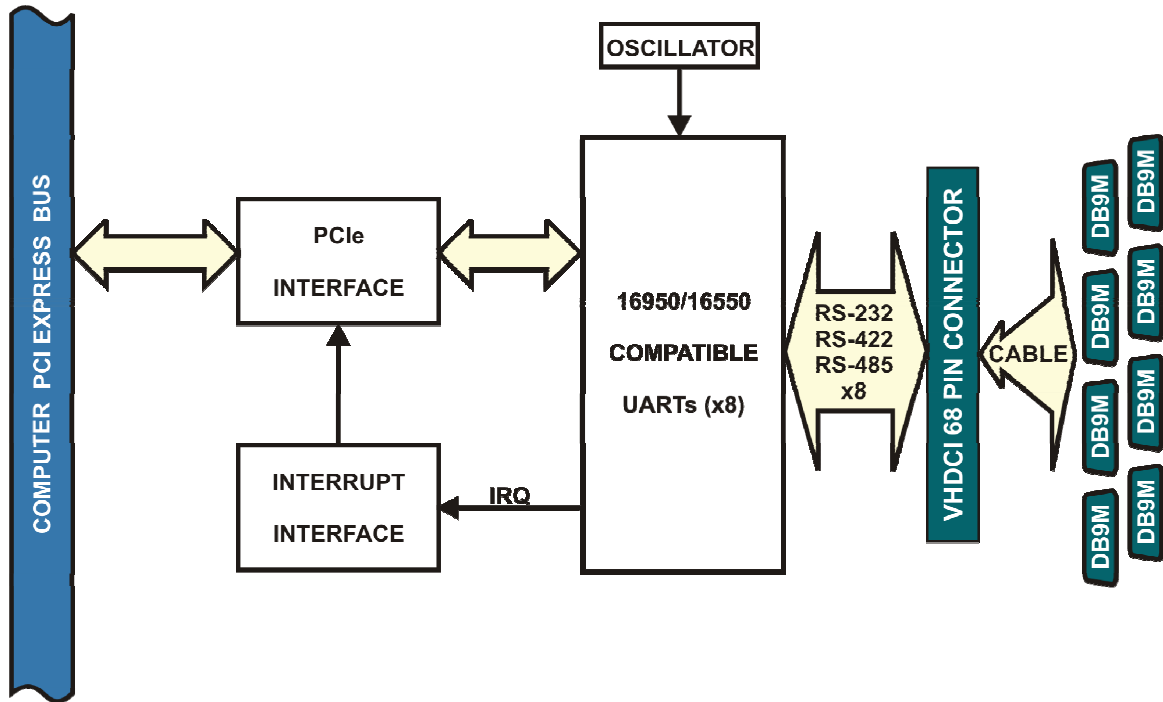
SPECIAL ORDER

Please contact ACCES with your precise requirement. Other examples of special orders would be conformal coating, custom software, RJ45 connectivity, longer breakout cables, etc., we will work with you to provide exactly what is required.

SOFTWARE

A complete driver support package is provided including an easy-to-use Windows terminal program for testing your COM ports. This simplifies the verification of proper COM port operation. The card installs as standard COM ports in all operating systems including DOS, Linux (including Mac OS X) and 32- and 64-bit Windows.





BLOCK DIAGRAM

SPECIFICATIONS

I/O connection: VHDCI 68 pin SCSI connector
 Serial ports: 8 (or 4) RS-232/422/485
 Serial data rates: RS-232 460.8k (921.6k avail)
 RS-422/485 3Mbps
 UART: Octal type 16C950 with 128-byte transmit & receive FIFO, 16C550 compliant
 ESD Protection: ±15kV on all signal pins
 Character length: 5, 6, 7, or 8 bits
 Parity: Even, Odd, None, Space, Mark
 Stop interval: 1, 1.5, or 2 bits
 Flow Control: RTS/CTS and/or DSR/DTR, Xon/Xoff
 Cable: 3' shielded breakout cable terminated with 8 (or 4) male DB9-pin connectors

Environmental

Operating temp.
 Commercial: 0°C to +70°C
 Industrial: -40°C to +85°C
 Storage temp.: -65°C to +150°C
 Humidity: 5% to 95%, non-condensing
 Power required: +3.3VDC @ 0.9W (typical)
 Size: 6.6 inches long x 2.20 inches high (167.64 mm long x 55.8 mm high)

ORDERING GUIDE

PCIe-COM-8SM Eight-port RS-232/422/485 card w/cable
 PCIe-COM-4SM Four-port RS-232/422/485 card w/cable
 PCIe-COM485-8 Eight-port 2-wire RS-485 card w/cable
 PCIe-COM485-4 Four-port 2-wire RS-485 card w/cable
 PCIe-COM422-8 Eight-port RS-422 (4-wire 485) card w/cbl
 PCIe-COM422-4 Four-port RS-422 (4-wire 485) card w/cbl

To order a card *without* the cable, add "NC" (PCIe-COM422-4NC)

Model Options

- -T Ext. temp. operation (-40° to +85°C)
- -F Fast version (RS-232 up to 921.6kbps)
- -RoHS RoHS compliant version
- -W Remote wake-up enable
- -L Low profile bracket installed

Accessories

BRKT-551-SCB Connector stabilizer bracket (for use with standard height PCIe bracket only)
 ADAP9 DB9F to 9 screw terminals adaptor
 ADAP9-2 Dual DB9F to 18 screw terminals adaptor
 CAB-PCIe-485-8 3' DB9M breakout cable pin-compatible with legacy PCI- and LPCI-COM485-8

DB9M	PIN	2-Wire RS-485 Standard Cable	2-Wire RS-485 Legacy Cable
	1	-	TX/RX-
	2	-	-
	3	TX/RX+	-
	4	TX/RX-	-
	5	GND	GND
	6	-	-
	7	-	-
	8	-	-
	9	-	TX/RX+

DB9M RS-485 PIN TABLE

